

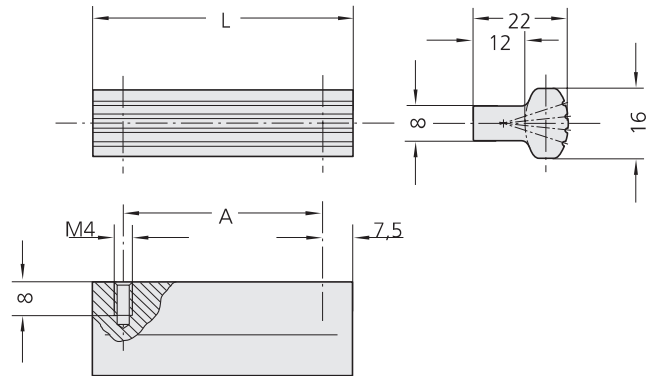
BOUTET

Poignée PR en aluminium

Poignée fabriquée en profilé d'aluminium Al Mg Si 0,5, surface polie mate anodisée.

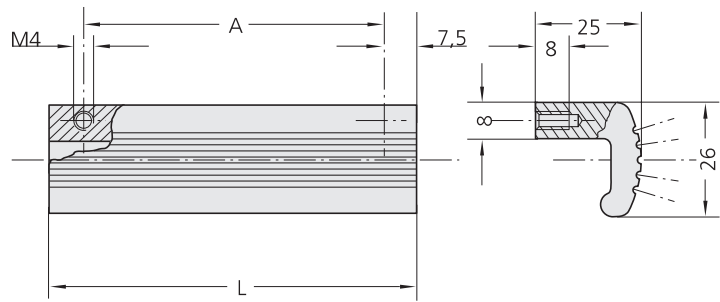
Handle PR in aluminium

Ledge handle made of profiled aluminium Al Mg Si 0.5, vibration ground, anodized and matt finish. Stress resistance minimum 200 N.



01 Version de largeur 16 mm / width 16 mm

A	L	REFERENCE naturel/natural	REFERENCE noir/black
30	45	10782	10782N
45	60	10783	10783N
70	85	10784	10784N
90	105	10785	10785N
105	120	10786	10786N
120	135	10787	10787N



02 Version de largeur 26 mm / width 26 mm

A	L	REFERENCE naturel/natural	REFERENCE noir/black
30	45	10788	10788N
45	60	10789	10789N
70	85	10790	10790N
90	105	10791	10791N
105	120	10792	10792N
120	135	10793	10793N